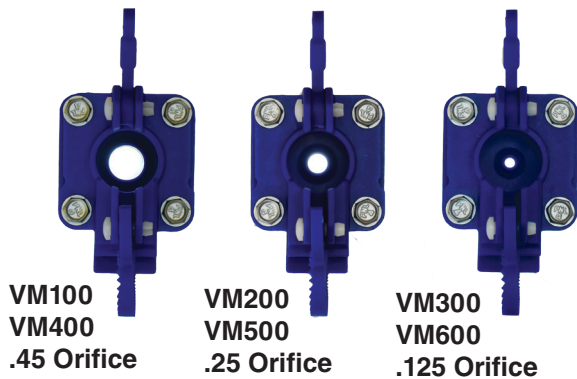


# THE MONTICELLO VALVE

THE MONTICELLO IS A HUGE IMPROVEMENT ON A LEGENDARY VALVE WHICH SUCCESSFULLY WATERED ANIMALS FOR OVER 50 YEARS

Model	Base Threads	Orifice Size
<b>VM100-VM600 - Valve Only</b>		
VM100	3/4" NPT	.45"
VM200	3/4" NPT	.25"
VM300	3/4" NPT	.125"
VM400	1/2" NPT	.45"
VM500	1/2" NPT	.25"
VM600	1/2" NPT	.125"
<b>VM150-VM650 - Valve, Float Arm, (2) Thumb Screws, &amp; Float</b>		
VM150	3/4" NPT	.45"
VM250	3/4" NPT	.25"
VM350	3/4" NPT	.125"
VM450	1/2" NPT	.45"
VM550	1/2" NPT	.25"
VM650	1/2" NPT	.125"



Base (3/4") is one piece construction and is designed for no warpage and lots of strength

Cap has patent pending slotted vent which relieves pressure and helps with anti-siphon compliance

Attachment tab for float is molded in—no chance for leakage. Tab is offset from the center allowing for more adjustment

Plunger has a patent pending crown design which allows the plunger to rotate as water flows through it. This feature allows sand and rust to flush out

Float arm has molded in brass inserts which will never strip or rust

## VM112 - Float Arm

Float arm provides for 3 different lengths. Arm can be snapped to right length for your application

Attachments have coarse notches on one side and fine notches on the other. This allows arm to match up with most floats and valves in the industry

## VM117 - Float



VP115 Thumb Screw  
(2 required per valve)

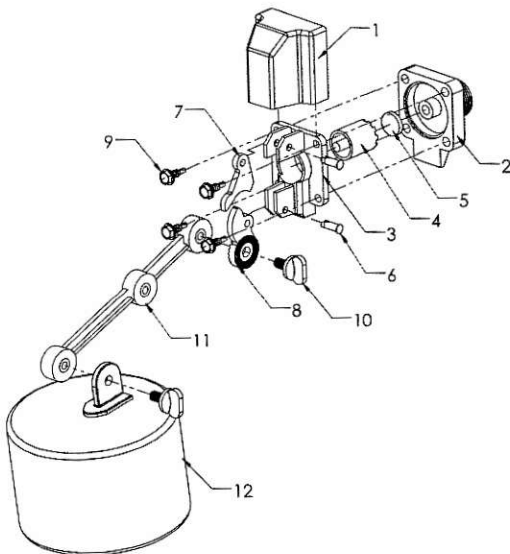
**HAWKEYE STEEL PRODUCTS, INC.**  
609 Main Street  
Houghton, IA 52631

**800-553-1791**  
**Fax: 319-469-4402**  
**sales@hawkeysteel.com**

# THE MONTICELLO VALVE

April 1, 2023

Item Number	Description
<b>VALVES AND VALVE ASSEMBLIES</b>	
VM100	Valve, Monticello, 3/4" Base, .45 Orifice Less Float Arm, Thumb Screws & Float
VM200	Valve, Monticello, 3/4" Base, .25 Orifice Less Float Arm, Thumb Screws & Float
VM300	Valve, Monticello, 3/4" Base, .125 Orifice Less Float Arm, Thumb Screws & Float
VM400	Valve, Monticello, 1/2" Base, .45 Orifice Less Float Arm, Thumb Screws & Float
VM500	Valve, Monticello, 1/2" Base, .25 Orifice Less Float Arm, Thumb Screws & Float
VM600	Valve, Monticello, 1/2" Base, .125 Orifice Less Float Arm, Thumb Screws & Float
VM150	Valve, VM100 Complete with Float Arm, 2 Thumb Screws & Float, 3/4" Base, .45 Orifice
VM250	Valve, VM200 Complete with Float Arm, 2 Thumb Screws & Float, 3/4" Base, .25 Orifice
VM350	Valve, VM300 Complete with Float Arm, 2 Thumb Screws & Float, 3/4" Base, .125 Orifice
VM450	Valve, VM 400 Complete with Float Arm, 2 Thumb Screws and Float, 1/2" Base, .45 Orifice
VM550	Valve, VM500 Complete with Float Arm 2 Thumb Screws and Float, 1/2" Base, .25 Orifice
VM650	Valve, VM600 Complete with Float Arm 2 Thumb Screws and Float, 1/2" Base, .125 Orifice



<b>PARTS*</b>	
VM101	Cap BL 101
VM102	Bottom Base, 3/4" Thread, .45 Orifice BL 102
VM104	Bottom Base, 3/4" Thread, .25 Orifice BL 102
VM118	Bottom Base, 3/4" Thread, .125 Orifice BL 10
VM120	Bottom Base, 1/2" Thread, .45 Orifice
VM121	Bottom Base, 1/2" Thread, .25 Orifice
VM122	Bottom Base, 1/2" Thread, .125 Orifice
VM103	Plunger BL108
VM105	Top Base BL105
VM106	Lock Pin BL106
VM107	Plunger Seat BL107
VM108	Plunger with Seat Inserted
OF210	Base Screw, 10 x 5/8 HWS BL 109
VM110	Upper Arm BL110
VM111	Lower Arm BL111
VM112	Float Arm BL112
VP115	Thumb Screw BL114
VM117	Float Poly BL117P

\*BL numbers are Franklin Valve Numbers and these parts interchange with Franklin